

Ohio Journal of
Environmental
Health

3rd Quarter 2025

Integrating GIS Technology
into Food Safety Inspections:
Portage County Health
District's 'Mapping the Menu'
Initiative

Also in this issue...

- Skin Prep in Body Art: Why Green Soap Is Not an Appropriate Pre-Procedure Antiseptic
- Fall Conference Announcements



Official Publication of the Ohio Environmental Health Association

www.ohioeha.org
www.facebook.com/ohioeha
www.twitter.com/OhioEHA



The object and purpose of the Association shall be the betterment of the health and welfare of mankind through the improvement of the environment. This shall be done by sponsoring state and regional meetings and publications, by developing methods of measuring and evaluating achievements in environmental health, the establishment of a central point of reference and education material for the membership, the procurement of cooperation with other agencies and organizations, and such other activities as will lead to the greater efficiency and professional growth of the membership.

Board of Directors

President

Courtney Myers, MPH, REHS
Stark County Health Department

President Elect

Justin Rechichar, REHS
Portage County Health District

Past President

Sarah Burkholder, MPH, REHS
Holmes County General Health District

Vice President

Alyssa Suto, EHST
Franklin County Public Health

Vice President Elect

Zoe Tyler
Licking County Health Department

Secretary

Sarah Badenhop, REHS
Columbus Public Health

Treasurer

Matthew Tyler, MPH, REHS
Public Health—Dayton & Montgomery County

Administrative Aide

Lauren Strope
Hicks Partners, LLC

Northeast District Director

Emily Speck, BSPH, REHS
Portage County Health District

Northwest District Director

Molly Owens, REHS, MBA, MPH
Wyandot County Public Health

Southeast District Director

Rachel Moresea, MPH, REHS
Fairfield County Health Department

Southwest District Director

Shelby Simmons
Clermont County Public Health

Publications Committee

Adam R. Howard, MPH, REHS
Delaware Public Health District
ahoward@delawarehealth.org
740-203-2069

Tracy L. Buchanan, REHS
Retired, Ohio EPA

Publication Information

The Ohio Journal of Environmental Health is published by the Ohio Environmental Health Association. A one year subscription, without membership, is available at a cost of \$60.

Other correspondence relating to address changes, applications for membership and other matters should be addressed to: Ohio Environmental Health Association, Lauren Strope, 10 W Broad Street, Suite 200, Columbus, OH 43215; Phone 740-277-8775.

The articles herein published represent the work of the designated author(s). The facts, opinions, and findings represented in the articles are those of the author(s) and do not necessarily represent the facts, opinions, and findings of the Ohio Environmental Health Association nor the publications committee.

The appearance of advertising in this publication does not necessarily include its endorsement.

To include articles or other materials for publication, contact: Adam Howard or Tracy Buchanan

Advertisement Rates

One Page

1 Issue: \$190
1 Year: \$584

1/2 Page

1 Issue: \$120
1 Year: \$356

1/4 Page

1 Issue: \$79
1 Year: \$216

Ohio Journal of Environmental Health

Volume 74
Number 3
3rd Quarter 2025

Table of Contents

President’s Message.....	4
Courtney Myers, MPH, REHS - Stark County Health Department	
NEHA Updates	6
NEHA: Pillars of Governmental Environmental Public Health: a Major Milestone and National Framework ...	6
Get Involved: OEHA Committees Overview	8
Skin Prep in Body Art: Why Green Soap Is Not an Appropriate Pre-Procedure Antiseptic	9
Sarah Badenhop, REHS - Columbus Public Health & OEHA Body Art Committee Chair	
Featured District Director’s Message: Southeast.....	11
Rachel Moresea, MPH, REHS - Fairfield County Health Department	
Integrating GIS Technology into Food Safety Inspections: Portage County Health District’s ‘Mapping the Menu’ Initiative	12
Justin Rechichar, MPH, MBA, MHHS, REHS - Portage County Health District	
Northwest District Conference.....	14
Northeast District Conference.....	17
ODH Seeks REHS Rule Comments.....	19
Southeast District Conference.....	20
Southwest District Conference.....	22
Announcements.....	24
Committees & Chairs.....	25

Advertisements

Ohio EPA.....4	Healthspace.....5	Infiltrator ATL.....7
Norweco.....10	Purell.....11	Polylok.....16
Wastewater Solutions.....16	Eljen.....19	JET.....21 ANUA.....21

President's Message

Courtney Myers, MPH, REHS
Stark County Health Department

Dear OEHA Members,

Happy summer to all! This season brings not only warmer weather but also increased responsibilities for those of us in Environmental Health. I hope you've been able to take some well-deserved time to rest and recharge.



National Environmental Health Association (NEHA) Annual Conference

This July, I had the privilege of attending the National Environmental Health Association (NEHA) Annual Conference in Phoenix. During the event, I participated in both the Affiliate Presidents Workshop and the Council Meeting. It was an excellent opportunity to connect with our national counterparts and engage with affiliate leaders from across the globe.

Legislative Update: House Bill 134 – Microenterprise Kitchens

Tony Brigano facilitated a one-on-one meeting

with the bill's sponsors to ensure OEHA could directly communicate our concerns about the proposed legislation. At the end of July, Scott Whittaker (Food Technical Chair) and I met virtually with Representatives Gross and Humphreys to discuss the bill, which seeks to expand cottage food operations under the oversight of the Ohio Department of Agriculture (ODA).

Scott and the Food Technical Committee prepared a comprehensive guidance document that outlines our recommendations, including:

- Restricting the use of high-risk foods,
- Aligning standards with the Ohio Uniform Food Safety Code,
- Requiring food safety training, and
- Expanding inspection areas to include all parts of the home involved in food production.

Both representatives were receptive to our feedback and expressed appreciation for OEHA's thoughtful contributions. The ODA will also be meeting with the bill sponsors to share their concerns. We anticipate that a revised draft of the bill will be shared with OEHA for further review and input.



Environmental Protection Agency

Upcoming District Fall Conferences

Planning for our District Fall Conferences is well underway! Each of our four districts has been hard at work putting together valuable training sessions and workshops. These conferences offer a great opportunity for professional development, networking, and knowledge-sharing.

I especially encourage you to invite and support newer colleagues in attending these events.

Registration information for each district is available at www.ohioeha.org. I hope to see many of you there!

Thank you for your continued dedication to the field of Environmental Health.

In Service,
Courtney Myers
President, Ohio Environmental Health
Association



Making Inspecting, Permitting and Data Management **Easier.**

HS GovTech™ is the nation's largest provider of Environmental Health Data Management Solutions.

We are committed to helping government agencies operate more efficiently through the use of our revolutionary cloud platform, and making information digitally accessible to their citizens and the businesses they regulate.



980.375.6060
info@hscloudsuite.com
hsgovtech.com

HS GovTech™ is a proud sponsor of OEHA

Let's Connect



HSGovTech



NEHA Updates

The National Environmental Health Association's 2025 Annual Educational Conference & Exhibition (AEC & Exhibition) took place July 14–17, 2025, at the Phoenix Convention Center. This year's theme, "Your Oasis in the Desert," encouraged environmental health professionals to recharge, build resilience, and gain fresh insights to meet the demands of an ever-evolving public health landscape.

A significant presence at the conference came from the Ohio Environmental Health Association (OEHA). Many OEHA members made the trek to Phoenix. Our members represented OEHA well by presenting talks,

participating in workshops, and attending sessions. Their strong showing reflected Ohio's continued leadership in environmental health innovation, policy, and practice.



NEHA: Pillars of Governmental Environmental Public Health: a Major Milestone and National Framework

After years of collaboration and development, NEHA has officially released the [Pillars of Governmental Environmental Public Health](#), a national framework built to help local environmental public health departments identify essential program areas, estimate staffing needs, and advocate for resources.

This project represents one of NEHA's largest investments to date and brings together insight from hundreds of professionals across 45 states.

- It reflects what's working in the field, and how agencies of any size can use those benchmarks to build stronger, more effective programs.
- You'll find guidance on the 11 core environmental public health programs as well as recommendations for staffing,

training, and performance outcomes.

- The resource also includes insights on emerging topics like climate health, healthy homes, and air quality.

This is about strengthening the local infrastructure that protects our communities every day. Whether you're an EPH director seeking to strengthen existing programs, a manager advocating for resources, or a policymaker working to support public health infrastructure, this guide offers practical benchmarks and strategies to enhance environmental health services in your community.

Thanks for being part of the NEHA community. We're excited to see the impact this guide will have in the months and years ahead.

Reimagining Onsite Water Management



INFILTRATOR
water technologies



- IM-300
- IM-540
- CM-1060
- IM-1250
- IM-1530

The strength and versatility of Infiltrator's Septic Tanks enable a wide-range of installation possibilities including shallow installations and multiple and serial tank configurations.



Lightweight • Durable

Combined Treatment and Dispersal

ADVANCED
ENVIROSEPTIC™



- Non-mechanical
- Non-biodegradable
- Low long-term cost

For residential, commercial, and community onsite wastewater treatment system designs.

ATL
by INFILTRATOR



Combined treatment and dispersal (CTD) products offer a high level of treatment in a small footprint.

Quick4™
CHAMBER SYSTEMS

With its Contour Swivel Connection™, Quick4® chambers



offer advanced contouring capability. The 4' chamber lengths are easy to handle and install. Infiltrator manufactures chambers in different sizes and styles to meet all regulatory and site requirements.



The Quick4® Equalizer 24 Chamber fits in a 18" wide trench and is ideal for curved or straight systems.

CALL FOR INFORMATION AND A DISTRIBUTOR NEAR YOU!

Brian Martucci, Area Sales Representative
(614) 506-1735 • bmartucci@infiltratorwater.com

Get Involved: OEHA Committees Overview

OEHA needs YOU! Our association offers a wide range of committees that support our mission, strengthen environmental public health, and provide leadership opportunities for members. Whether you're interested in technical policy, legislative action, education, or outreach, there's a committee that needs your expertise!

Committee Membership & Chair Responsibilities

- All committee members must be OEHA members in good standing.
- Chairs coordinate meetings, guide activities, and report progress to the Board.
- Committees submit final reports at the Annual Meeting and collaborate with OEHA leadership.

Standing Committees

Ongoing committees that support OEHA's core functions, including Membership, Finance, Awards, and Publications. They ensure operations run smoothly, guide scholarship awards, and help develop policy and journal content.

Technical Committees

These subject-area groups shape environmental health practice across Ohio. Areas include Body Art, Food Safety, Sewage, Water, Pools, Lead, Vectors, Solid Waste, and Campgrounds. Committees review rules, guide best practices, and influence OEHA policy positions.

Ad-Hoc Committees

These short-term groups tackle focused initiatives such as Resolutions, Archives, Constitution & Bylaws, Professional

Development, Exhibits, and Website enhancements.

OEHA Representatives on External Committees

Members serve as OEHA liaisons with partner agencies including:

Ohio Public Health Advisory Board (OPHAB)

- Ohio Public Health Partnership
- Concentrated Animal Feeding Facility (CAFF)
- Sewage Treatment System Technical Advisory Committee (TAC)

Why Join a Committee?

- Build leadership and professional skills
- Influence policies and practices in Ohio
- Network with peers and subject-matter experts
- Contribute to the advancement of environmental public health

If you're interested in joining a committee, please reach out to the current Committee Chair, your District Director, or any member of the Board of Directors.

Skin Prep in Body Art: Why Green Soap Is Not an Appropriate Pre-Procedure Antiseptic

Sarah Badenhop, REHS
Columbus Public Health
OEHA Body Art Committee Chair

In the world of body art, green soap has become an iconic staple—widely used for cleaning the skin before and during tattoo procedures. Its popularity, however, has led to ongoing confusion about its proper role in infection prevention. While green soap is a helpful cleaner during a procedure, it is **not an appropriate antiseptic for pre-procedure skin preparation**.

Under **Ohio Administrative Code (OAC) 3701-9-05(A)**, the skin must be thoroughly cleaned with soap and water and then treated with **an antiseptic solution** prior to a procedure. The code defines an antiseptic as “an agent that destroys pathogenic microorganisms on human skin or mucosa” (**OAC 3701-9-01(B)**). This is echoed in the **NEHA Body Art Model Code**, which clearly states in Section 9.3 that the procedure area must be prepped with an antiseptic.

Tincture of green soap typically contains 30% alcohol and is often diluted further by artists, decreasing its antimicrobial effectiveness. While it may offer some limited antimicrobial action, it does not meet the FDA’s threshold for classification or labeling as a healthcare antiseptic. In contrast, the FDA recognizes several active ingredients and concentrations as appropriate for pre-procedural antiseptic use, including:

- **Ethyl alcohol** (60–95%)
- **Isopropyl alcohol** (70–90%)
- **Chlorhexidine gluconate** (2% or 4%)
- **Povidone-iodine** (7.5–10%)
- **Benzalkonium chloride** (0.1%–0.13%)

These ingredients, when included in properly labeled over-the-counter (OTC) drug products with a Drug Facts panel, are designed for use on skin to reduce the risk of infection.

This distinction is not just theoretical—it’s a practice and regulatory standard recognized nationally. Members of the **National Environmental Health Association (NEHA) Body Art Committee** support this interpretation.

“Green soap is, however, a wonderful cleaner during the tattoo. It is widely popular, and for good reason. I encourage all who use green soap to keep using it as a cleaner during the tattoo. Of course, the cleaner is different than an antiseptic,” said Tyson Schaffert, NEHA Body Art Committee Industry Co-Chair, Appliance of Professional Tattooists (APT), Tattoo artist.

“It works really well with removing blood and inks. Green soap can still be used for this—during the procedure—it just can’t be used for prep,” added Austin Addison, NEHA Body Art Committee Regulatory Co-Chair, DHSc, REHS, CHES, EHS IV, Georgia Department of Public Health.

The issue, ultimately, is not about whether green soap is a good product—it is about ensuring that it used appropriately and not misapplied in ways that compromise skin antiseptics. Other cleaning agents preferred by artists may have similar limitations if they are not properly labeled and formulated for antiseptic use.

As Environmental Health Specialists, we are in a unique position to provide education, reinforce best practices, and support our industry partners. Matt Johnson, MPH, REHS, Director of Environmental Public Services, Cuyahoga County Board of Health, aptly said:

“Ohio can be a leader here with regard to this piece of the body art puzzle because we know it doesn’t matter how sterile your equipment is if you’re working on dirty skin.”

The takeaway is clear: **Pre-procedure skin antisepsis matters.** Green soap is valuable, but it does not fulfill the role of a true antiseptic in skin prep. Let’s support studios in understanding this distinction and help raise the bar for safety in Ohio’s body art industry.

norweco[®]

SINGULAIR[®]



- ◆ Designed for 500-1,500 GPD flows
- ◆ Available in concrete and HDPE
- ◆ Simple to install and maintain
- ◆ Non-mechanical flow equalization

SINGULAIR GREEN[®]



- ◆ NPDES package
- ◆ All-Season spray irrigation
- ◆ Industry leading warranty
- ◆ Suppliers throughout Ohio

www.norweco.com ◆ 1-800-NORWECO ◆ email@norweco.com

Featured District Director's Message: Southeast

Rachel Moresea, MPH, REHS
Fairfield County Health Department

My name is Rachel Moresea. I am a full-time working mother of three boys, ages 7, 4, and 2. I have 13 years of experience in the field of Public Health. I earned my bachelor's degree from the University of Saint Francis in Fort Wayne, Indiana. After graduation, I served a year in AmeriCorps with the Christian Appalachian Project before getting a job at Columbus Public Health. At CPH I worked as a Registered Environmental Health Specialist for seven years in various programs before deciding to make a switch to Emergency Preparedness. In 2021, once things with the pandemic started to slow down, I decided to return to Environmental Health and took a job as



Director of Environmental Health for the Fairfield County Health Department. While I have experience in all environmental health programs, I would have to say food safety is my forte. Being an environmental health director comes with trials but there are also a lot of funny moments. I love that I am always doing something new and learning new things. I graduated with my MPH from American Public University in August. When I have free time I love reading, gardening and cooking.



A Sanitizing Wipe That's Effective Enough to Do It All

Restaurants can improve operational efficiency with NEW wipes formulated for food-contact surfaces with no rinsing or gloves needed!

1 step to quickly and conveniently sanitize and disinfect surfaces	30 seconds to kill the virus that causes COVID-19	Eliminates 99.9% of viruses and bacteria, including norovirus, Salmonella, Listeria, and cold & flu
---	--	---

[GOJO.com/PURELLSurfaceWipes](https://www.GOJO.com/PURELLSurfaceWipes)

©2022 GOJO Industries, Inc. All rights reserved. | 33454 (5/2022)

Integrating GIS Technology into Food Safety Inspections: Portage County Health District's 'Mapping the Menu' Initiative

Justin Rechichar,
MPH, MBA, MHHS, REHS
Portage County Health District

Abstract

The Portage County Health District (PCHD) has integrated Geographic Information System (GIS) technology into its food safety inspection process through an initiative titled Mapping the Menu. This innovative approach utilizes ArcGIS to enhance operational efficiency, streamline data accessibility, and improve risk assessment. This article outlines the implementation process, explores key outcomes, and discusses potential applications of GIS within broader environmental health programs.

Implementation of Mapping the Menu

The Mapping the Menu initiative began with the development of a GIS layer to map all mobile food establishments at the local county fair. Initial data points were minimal, capturing basic details such as facility name, operator name, and a photo of each unit. This foundational data was collected before the fair

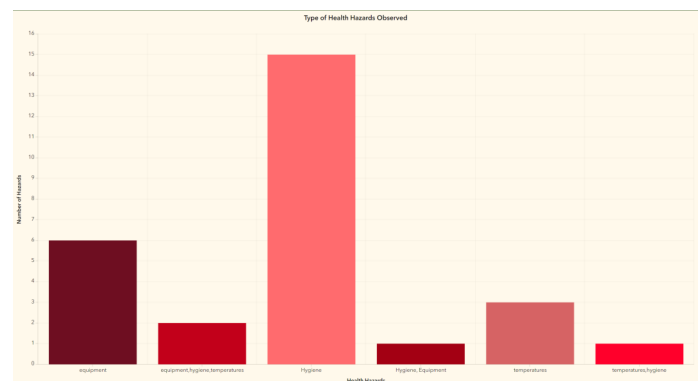
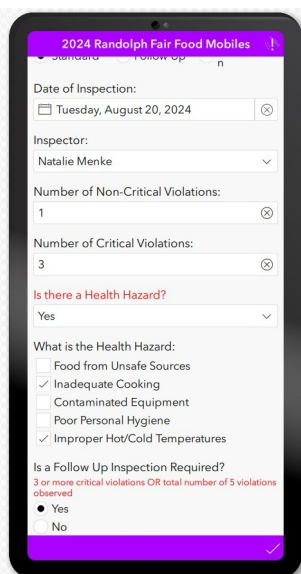
and linked to geographic locations. As inspections were completed onsite, scanned inspection reports were digitally attached to each location, along with additional information such as food safety specialist and county of origin.

Recognizing the value of geographic

visualization, PCHD expanded the initiative by implementing electronic inspection reporting. This transition enabled food safety specialists to complete reports in the field digitally, with each report automatically linked to GIS coordinates. This shift eliminated paper records, improved operational efficiency, and enabled instant retrieval of historical inspection data.

Advancements in Data Visualization and Analysis

A key component of the initiative was the creation of a centralized, interactive GIS dashboard. This tool allows real-time visualization of inspection activity, enabling public health staff to monitor trends, identify high-risk establishments, and respond promptly to compliance issues. The dashboard also



supports program evaluation by highlighting areas where targeted education or enforcement efforts may be needed.

This modernization effort aligns with PCHD’s strategic goals of promoting food safety, ensuring regulatory transparency, and leveraging innovative technology. Prior to implementation, inspection records were managed through outdated systems and paper-based files, leading to time-consuming audits and difficulty in data collection. The new system significantly reduces manual effort and enhances analytical capacity.

To fully realize the benefits of GIS integration, a comprehensive GIS layer was developed for all brick-and-mortar food facilities in Portage County. This layer includes indexed data such as risk level, facility type, violation categories, and other key metrics, allowing for robust data tracking and performance monitoring.

Today, food safety specialists at PCHD are fully paperless. Inspection data is collected digitally and uploaded in real time using Survey 123 and Microsoft Power Automate, facilitating seamless data entry and efficient analysis. The GIS dashboard enables staff to monitor violation trends and adjust inspection strategies based on timely, data-driven insights.

Future Applications and Expansion

Encouraged by the success of Mapping the Menu, PCHD plans to expand GIS integration into other environmental health programs, including private water systems, household sewage treatment systems, tattoos and body art, and vector control. Collaborative efforts with state agencies and academic institutions are being explored to enhance predictive modeling and further strengthen public health decision-making.

Conclusion

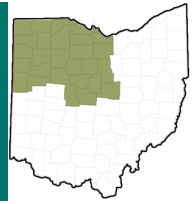
The integration of ArcGIS into food safety inspections marks a significant advancement in environmental health practice. By improving inspection efficiency, enhancing data accessibility, and supporting real-time decision-making, the Mapping the Menu initiative serves as a forward-thinking model for other health departments. PCHD’s success highlights the critical role of technology in evolving public health systems and reinforces the importance of strategic innovation in regulatory programs.

Acknowledgments

Special thanks to Emily Speck, GIS Coordinator, and Natalie Menke, Environmental Health Supervisor, for their leadership and vision in expanding PCHD’s data visualization efforts and making this initiative a reality. Please use the QR code to view the live interactive GIS MAP.



Northwest District Conference



Thursday, October 9th, 2025

8:00 am – 8:30 am	Exhibits Open (Foyer)	Registration/Continental Breakfast/Coffee Break	
8:30 am – 8:45 am		Opening Comments/ Business Meeting Aloeswood / Leopardwood	
8:45 am – 9:45 am		Improvements in Lake Erie Watershed – Dr. Steve McMurray	
9:45 am - 10:00 am		BREAK/Coffee Break	
CONCURRENT SESSIONS ROOMS		ALOESWOOD/LEOPARDWOOD	ROSEWOOD
10:00 am – 10:45 am		Tova Herksovitz - Hemp and ODA Food Safety Program	Amber Dorsey – WasteWater Solutions
10:45 am – 11:30 am		Celeste Nist / Dakota Roberts – Body Art	Seth Layne – STS Designs
11:30 am - 12:30 pm		LUNCH/AWARDS/Coffee Break IN	
12:30 pm – 1:30 pm		ODH/ODA – Acidification of White Rice	
CONCURRENT SESSIONS ROOMS		ALOESWOOD/LEOPARDWOOD	ROSEWOOD
1:30 pm – 2:15 pm		Travis Irvan / Lois Hall – Tornado Response and Grief Recovery	Jonathan Tran/FDA - Active Managerial Control in Risk-Based Inspections
2:15 pm –2:30 pm		BREAK/Coffee Break & snack	
CONCURRENT SESSIONS ROOMS	ALOESWOOD/LEOPARDWOOD	ROSEWOOD	
2:30 pm – 3:15 pm	Travis Irvan / Lois Hall – Tornado Response and Grief Recovery	Tom Fink - Disinfection for Dummies: Understanding Swimming Pool Disinfection	
3:15 pm – 4:15 pm	Ohio EPA - TBD		

Northwest District Conference



Friday, October 10th, 2025

8:00 am – 8:30 am	Exhibits Open (Foyer)	Registration/Continental Breakfast/Coffee Break		
8:30 am – 8:45 am		OEHA President's Message Aloeswood / Leopardwood		
8:45 am – 9:45 am		Red Alert: Extreme Heat as a Public Health Threat BGSU Staff Panel (Dr. Welch, Dr. Maziarz, Dr. Vallerand, Professor Shaeffer)		
9:45 am - 10:00 am		BREAK/Coffee Break		
CONCURRENT SESSIONS ROOMS		ALOESWOOD/LEOPARDWOOD	ROSEWOOD	
10:00 am – 10:45 am		Stephen Bopple – Reuse of Landfills	Emily Speck – GIS in EH	
10:45 am – 11:30 am		Megan and Ashley – What is this Thing? – Understanding the Pool Pump Room w/Field Trip at 1:15pm – 2:00pm	Infiltrator – Brian Martucci	
11:30 am - 12:30 pm		LUNCH/Coffee Break IN		
12:30 pm – 1:15 pm		NSF – NSF Food Equipment Standards		
CONCURRENT SESSIONS ROOMS		ALOESWOOD/LEOPARDWOOD	ROSEWOOD	SAGEWOOD/ ZEBRAWOOD
1:15 pm – 2:00 pm		Eljen – Drew Nickoli	Ohio EPA - TBD	EH Director's Mtg.
2:00 pm – 2:15 pm		BREAK/Coffee Break & snack		
CONCURRENT SESSIONS ROOMS		ALOESWOOD/LEOPARDWOOD	ROSEWOOD	
2:15 pm – 3:15 pm		Women in Leadership Panel	Tyler Briggs – Smart Analytics: Harnessing AI for Public Health Action	
3:15 pm – 3:30 pm	WRAP UP			

POLYLOK

Innovations in Precast, Drainage & Wastewater Products



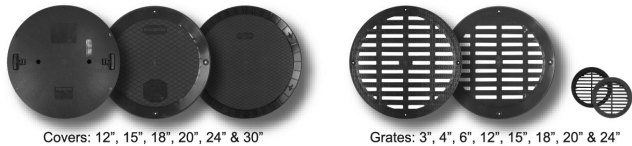
Zabel®
A Division of Polylok Inc.



PL-68 PL-122 PL-525/625 GF-10 12x20 4x22 4x18 Filter Alarms & Switches



Effluent Filters / Filter Alarms & Switches



Covers: 12", 15", 18", 20", 24" & 30" Grates: 3", 4", 6", 12", 15", 18", 20" & 24"

Covers & Grates (for Polylok Risers / D-Boxes & Corrugated Pipe)

1-877-765-9565 / www.polylok.com

Extend & Lok (3", 4" & 6")



- Easy installation
- No gluing necessary
- Centers filter or tee under riser

Tank Risers (12", 20" & 24")



6" Tall Risers 12" Tall Risers

Distribution Boxes



Hydro Shield



- One Hydro Shield fits 3 pipe sizes: 1", 1-1/4" & 1-1/2" or 1", 1-1/2" & 2"
- Easy to install, just clip in.
- 360 degree equal distribution

STEP Systems



Flow Controller



Improving the environment,
ONE SYSTEM AT A TIME



hydro-action
green from the ground up

ANSI/NSF Standard 40
5 Year Limited Warranty

www.wastewatersol.com

Northeast District Conference



Tuesday, October 14, 2025

7:30 – 8:15	Registration		
8:15 – 8:25	Business Meeting		
8:25 – 8:50	<i>District Director and President's Address</i>		Wilcox Ballroom
8:50 – 9:50	Dennis Summers, DVM, DACVPM	<i>HPAI Overview, Regulatory Response Process, and Strategies</i>	Wilcox Ballroom
9:50 – 10:10	Break – Visit Exhibitors		
10:10 – 11:10	Brian Martucci	Keys to a Successful Thermoplastic Tank Installation	Wilcox Ballroom I
	Kristen Carpenter	Recalcitrance- The yo-yo operator	Wilcox Ballroom II
	Matt Johnson	Up in Smoke - Smoking Enforcement in Cuyahoga County	Wilcox Ballroom III
11:10 – 12:10	Megan Mementowski and Ashley Ruminski	Fixing the Problem Pool- From a Health Inspector's Perspective	Wilcox Ballroom I
	TBD	Pesticides in Food Operations	Wilcox Ballroom II
	Becky Lehman & Sarah Meduri	From Policy to Purpose: Building Leadership, Culture, & Stability in Public Health	Wilcox Ballroom III
12:10 – 1:10	Lunch – Awards		
1:10 – 2:10	Andy Gall, Nick Hammer, Steve Wargo	Troubleshooting Small Aeration Plats with CAU Part 1	Wilcox Ballroom I
	Elizabeth Clay or Tony Urbaneck	More Than Skin Deep: Health Standards for World-Class Tattoo Conventions	Wilcox Ballroom II
	Brandon Mantel	Private Water Operation & Treatment: Tackling Taste and Odor Challenges	Wilcox Ballroom III
2:10 - 2:30	Break – Visit Exhibitors		
2:30 – 3:30	Andy Gall, Nick Hammer, Steve Wargo	Troubleshooting Small Aeration Plats with CAU Part 2	Wilcox Ballroom I
	Donald Schrader	Partners In Prevention & Response: Bridging Military and Civil Efforts For A Healthier World	Wilcox Ballroom II
	Karen Naples	513s: What are They and How Are They Used	Wilcox Ballroom III
3:30 – 4:30	Andrew DeMarco	Soil Science for Sanitarians	Wilcox Ballroom I
	Reagan Townsend	FBI Outbreak Related to Jimsonweed	Wilcox Ballroom II
	Sam Rubens	What a mess: Asbestos cleanup in Ravenna	Wilcox Ballroom III
4:30 – 5:30	Meet and Greet		

Northeast District Conference



Wednesday, October 15, 2025

7:30 – 8:00		Registration	
8:00 – 9:00	Dale Hodgson	Bedbugs: 2025 Updates (10A)	Wilcox Ballroom I
	Danielle Doza	Sustainability in Sports: Cleveland Cavaliers and Rock Entertainment Group	Wilcox Ballroom II
9:00 – 9:10		Break – Visit Exhibitors	
9:10 – 10:10	Tom Fink	Disinfection for Dummies: Understanding Swimming Pool Disinfection	Wilcox Ballroom I
	Bryan Kloss	Emergency Preparedness	Wilcox Ballroom II
	Eric White	Trenching Safety	Wilcox Ballroom III
10:10 – 10:20		Break – Visit Exhibitors	
10:20 – 11:20	Matt Thomas	The Muskingum River Watershed and Ohio's Largest Conservancy District	Wilcox Ballroom I
	Michael Stepic	C&DD	Wilcox Ballroom II
	TBD	TBD	Wilcox Ballroom III
11:20 – 12:20	Frank Klinger	Wildlife Services - An Integrated Wildlife Damage Management Approach (7)	Wilcox Ballroom I
	Elizabeth Crespo	Pharmaceutical Tattooing	Wilcox Ballroom II
	Matt Hennis	Damage Prevention	Wilcox Ballroom III
12:20 – 1:20		Lunch	
1:20 – 2:20	TBD	Nuclear Power	Wilcox Ballroom I
	Jennifer Gottschalk, MPH, REHS, Jodi Vaughan, Daniel Ball, Anthony Bernal, BSF, FFII, EMT-B, FSI, FI, FPI	Collaborative Effort: Working Together to Serve Safe Street Food	Wilcox Ballroom II
	William Duck	Nuisance Complaints Confrontations	Wilcox Ballroom III
2:20 – 2:35		Break – Visit Exhibitors	
2:35- 3:35	Jennifer Gottschalk, MPH, REHS, Jodi Vaughan, Daniel Ball, Anthony Bernal, BSF, FFII, EMT-B, FSI, FI, FPI	Collaborative Effort: Working Together to Serve Safe Street Food	Wilcox Ballroom II
	Jacob Darime	FOG	Wilcox Ballroom III
3:35 – 3:50		Business Meeting and George Eagle Raffle Drawings	

ODH Seeks REHS Rule Comments

As many interested parties are aware, the Ohio Department of Health (ODH) is preparing to update rules for Ohio Administrative Code Chapter 3701-76, the Registered Environmental Health Specialist (REHS) rules. We value your input! To that end, ODH is providing an informal comment period to review the draft rules and provide comments to ODH for review and consideration. Please note that the Department will follow all formal rule-making processes, including formal comment periods, after this informal comment period concludes.

ODH has been listening to feedback and the new draft rules reflect the feedback we have received. The draft rules have been revised to include:

- Updating and reorganizing the rules for consistency with online application and renewal.
- Expanding the list of coursework meeting educational requirements.
- Developing an internship program that creates a pipeline of students into the local health department workforce post-graduation that will count toward the REHS -IT time requirement.
- Adjusting the Environmental Health Specialist In Training (EHSIT) advancement timeline.

Please review these draft rules and provide any comments you may have by the close of business on September 15, 2025, to the email address listed below. Please use “REHS Program Informal Rule Comment” in the subject line of all comments sent via e-mail.

Ohio Department of Health
Attn: Stephanie Youst
REHS Program - Informal Comment Period
246 North High Street
Columbus, Ohio 43215
odhrules@odh.ohio.gov
stephanie.youst@odh.ohio.gov

If you have questions about providing comment on any of the rules in this chapter, please contact Stephanie Youst at stephanie.youst@odh.ohio.gov or (614) 466-1772.



Southeast District Conference



SEOEHA Conference Sept 25, 2025

TIME	SESSION TITLE		SPEAKER	ROOM
8:30 - 9:15	Registration			Lobby
9:15 - 9:30	Welcome & Opening Business Meeting		Rachel Moresea, REHS, MPH / District Director	
9:30 - 10:45	Leadership	Performance Management In Environmental Health	Scott Morris, REHS	
10:45 - 11:00	Break & Exhibits			
11:00 - 12:00 Concurrent Session	Sewage	Site and Design Considerations for HSTS on Difficult Jobs	Kevin Smith, Hocking County Health Department	
	Food	The Exempt Farmers Market	Jason Ahrens, REHS	
12:00 - 1:30	Lunch –			
1:30 - 2:30 Concurrent Sessions	Food	Mapping the Menu: Integration of ArcGIS in Mobile Food Program	Emily Speck, REHS and Natalie Menke, REHS	
	Pools	What is this thing? SVRS & Other Pool Room Equipment	Tom Fink, Cuyahoga County Board of Health	
2:30 - 2:45	Break & Exhibits – Desserts in Lobby			
2:45 - 3:45	Sewage	Media Filters and the History of Media Treatment	Dustin Kent, Anua	
Concurrent Sessions	Food	Food Safety Violation Data to help evaluate the effectiveness of LCHD's Enhanced Enforcement Program	Traven Woods, Licking County Health Department	
3:45 - 4:00	Break & Exhibits – Desserts in lobby			
4:00 - 5:00	General EH	New and Different things in your Health Department	Carrie Kamm REHS, MPH	

SEOEHA Conference Sept 26, 2025

TIME	SESSION TITLE		SPEAKER	ROOM
7:30 - 8:30	Registration			Lobby
8:30 - 9:45	General EH	Past, Present and Future of EH Education	Dr. Michele Morrone	
9:45 - 10:00	Break & Exhibits			
10:00 - 11:00 Concurrent Session	Animal	Salmonella from Backyard Chickens	Kimberly Machesky, ODH Lab	
	Body Art	Body Art	Sarah Badenhop, REHS Columbus Public Health	
11:00 - 11:15	Break & Exhibits			
11:15 - 12:15 Concurrent Sessions	Animal	Backyard Chickens	Dr. Aaron Messer, Columbus Public Health	
	Food	Food Grading Systems	Josh Burke, REHS	
12:15 - 1:30	Lunch and Raffle Baskets 50/50			
1:30 - 2:30	General EH	The Board Game- Cybersecurity	Brody Davis, Ohio Emergency Management Agency	
2:30 - 2:45	Final Business Meeting			



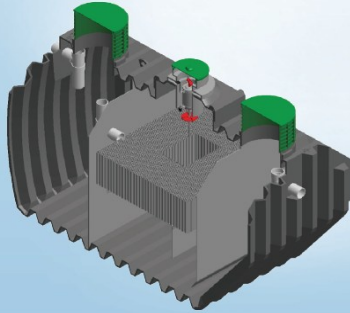
- Accu-Tab® Wastewater Tablets**
- Recognized global brand
 - Smaller tablet with beveled edges to minimize wicking
 - No imported ingredients; stearate free



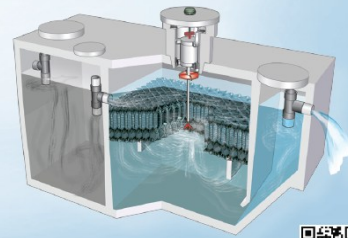
2012 Presidential E Award Recipient

Residential & Commercial Treatment Plants

- Concrete and rugged polyethylene material
- 500-1500 GPD Residential Systems
- 1500-300,000 GPD Commercial Systems
- Up to 800 GPD in plastic design
- A single moving part
- Innovative design for easy system servicing
- No filters to clog
- Lifetime exchange program



- Illumi-Jet UV Disinfection Unit**
- Hermetically sealed electrical components
 - High capacity disinfection reservoir
 - Kapton seals improve serviceability



www.jetincorp.com • 800.321.6960 • email@jetincorp.com



Clean Water

- Open cell foam media
- 2-foot soil depth credit
- Spray irrigation
- No aerator/blower
- Nitrogen reduction
- Residential and commercial
- NSF/ANSI Standard 40



877.782.6427 ■ anuainternational.com

Southwest District Conference



October 1, 2025, Wednesday

<u>Time</u>	<u>Session Topic</u>	<u>Speaker</u>
7:30–8:15 AM	Registration	
8:15–8:30 AM	Welcome & Business Meeting	Alexander Dayton, REHS <i>Butler County General Health District SW OEHA District Director</i>
8:30–9:45 AM	General Session: Leadership	Luke Jacobs, MPH, REHS , <i>Environmental Health Director, Columbus Public Health</i>
9:45–10:00 AM	Room Change	
10:00–11:00 AM	Mobile and Temporary FSOs	Jamie Higley, REHS , <i>Administrator, Ohio Department of Health Bureau of Environmental Health and Radiation</i>
	The Basics of on-lot HSTS Installation	Josh Vandyne , <i>Vandyne Excavating and & Land Improvement LLC</i>
	General Nuisances	Jeremey Hessel, REHS , <i>Director of Environmental Health, Hamilton County Public Health</i>
11:00–11:15 AM	Room Change	
11:15–12:15 PM	Making Your Job Easier: ODH Local Support Team	Jason Menchhofer , <i>Southwest Regional Officer, Ohio Department of Health</i>
	Hoarding	Jackie Gruza, MPH, REHS , <i>Registered Environmental Health Specialist, Greene County Public Health</i> Samantha Webb, BSN , <i>Infectious Disease Control Public Health Nurse, Greene County Public Health</i>
	Ohio Drainfield Design	Brian Martucci , <i>Infiltrator Water Technologies</i>
12:15–1:15 PM	LUNCH	
1:15–2:15 PM	Clear Impact	Greg Chumley, MPH, REHS , <i>Ohio Department of Health</i>
	Tire Buyback Program- Montgomery County Solid Waste District	John Goodman , <i>Montgomery County Solid Waste District</i>
	Pools	Tierra Clay, REHS , <i>REACH Unit Administrator, Ohio Department of Health</i>
2:15–2:30 PM	Break	
2:30–2:45 PM	President's Address	Courtney Myers, MPH, REHS <i>OEHA President</i>
2:45–4:00 PM	General Session: Climate/Sustainability	TBD , <i>Miami Valley Regional Planning Committee</i>

**AGENDA IS SUBJECT TO CHANGE

Southwest District Conference



October 2, 2025, Thursday

<u>Time</u>	<u>Session Topic</u>	<u>Speaker</u>
7:30–8:30 AM	Registration	
8:30–9:45 AM	General Session: A History of OEHA Part II	Steve Ruckman, Environmental Services Specialist, Worthington Schools Melissa Adams, REHS, Registered Environmental Health Specialist, Delaware Public Health District
9:45–10:00 AM	Room Change	
10:00–11:00 AM	HAACP Plans in RFEs	Jason Ahrens, REHS, Program Coordinator, Ohio Department of Agriculture
	Well Drillers- Preferred Pump	Dave Yeager
	Hoarder Houses and Crime Scene Clean-Up	Devin Drambarean, President, Bio-One Cincinnati
11:00–11:15 PM	Room Change	
11:15–12:15 PM	Campgrounds	Carrie Yeager, MPH, REHS, Environmental Health Director, Butler County General Health District
	TBD	TBD
	Farmers Markets and Cottage Foods	Jason Ahrens, REHS, Program Coordinator, Ohio Department of Agriculture
12:15–1:15 PM	LUNCH	
1:15–2:15 PM	Cost Methodology	Carrie Yeager, MPH, REHS, Environmental Health Director, Butler County General Health District
	Solid Waste	Chuck DeJonckheere, REHS, Director of Waste Management, Hamilton County Public Health
	Hemp & CBD in Food	Tim Tewksbury, MPH, REHS, Program Administrator for Division of Food and Safety, Ohio Department of Agriculture
2:15–2:30 PM	Break	
2:30–4:00 PM	General Session: Impact of Smoke on Air Quality	Eileen Moran, Program Manager, Regional Air Pollution Control Agency
4:00–4:15 PM	Wrap-Up	Alexander Dayton, REHS <i>Butler County General Health District</i> <i>SW OEHA District Director</i>

**AGENDA IS SUBJECT TO CHANGE

Announcements

Have a grant, educational opportunity, move, promotion, or other announcement you would like to share? Please email a member of the publications committee.

Open Positions (With an opening of 09/20/25. For current listing [click here](#))

- **REHS/EHSIT**
Sandusky County Public Health
- **Director of Environmental Health**
Crawford County Public Health
- **REHS Supervisor**
Franklin County Public Health
- **Emergency Preparedness Planner**
Cuyahoga County Board of Health
- **Faculty**
Ohio University
- **REHS/EHSIT**
Meigs County Health Department
- **Grant Supervisor**
Cuyahoga County Board of Health
- **Accounts Payable Specialist**
Cuyahoga County Board of Health
- **Account Clerk**
Cuyahoga County Board of Health
- **Public Health Nurse Program Manager**
Cuyahoga County Board of Health
- **Public Health Nurse**
Cuyahoga County Board of Health
- **Medical Billing & Credentialing Specialist**
Cuyahoga County Board of Health
- **REHS**
Ohio Department of Health
- **Director of Nursing**
Pickaway County Public Health
- **Emergency Preparedness Coordinator**
Cuyahoga County Board of Health
- **Fiscal Assistant**
Cuyahoga County Board of Health
- **Home Visitor**
Ross County Health District
- **Environmental Health Director**
Preble County Public Health

Educational Opportunities

- **Southeast OEHA Conference** - September 18-19, 2025; Glouster, Ohio
- **2025 AOHC Fall Conference** - September 22-24, 2025; Dublin, Ohio
- **Southwest OEHA Conference** - October 1-2, 2025; Dayton, Ohio.
- **OPHA Public Health Book Discussion** - October 8, 2025; Zoom Meeting
- **Northwest OEHA Conference** - October 10-11, 2025; Sandusky, Ohio
- **Northeast OEHA Conference** - October 14-15, 2025; Twinsburg, Ohio
- **AOHC Finance for Health Departments** - October 15, 2025; Dublin, Ohio
- **AOHC LEHDS** - October 15-16, 2025; Dublin, Ohio
- **OEHA Leadership Course** - October 21 & November 19, 2025; Delaware, Ohio
- **OPHA Research to Practice** - October 29, 2025; Webinar
- **AOHC New Employee Training** - November 6, 2025; Delaware, Ohio
- **OPHA Nursing & Epidemiology Conference** - November 6-7, 2025; Kent, Ohio

OEHA Committees & Chairs

Body Art

Sarah Badenhop, REHS
Columbus Public Health

Campground

Mark Janowich, REHS
Erie County Health Department

Food

Scott Whittaker, REHS
Columbus Public Health

Lead

Greg Putka, REHS
Lorain County Public Health

Private Water Systems

MaryBeth Brown
Delaware Public Health District

Sewage

Eric Cherry, REHS
Huron County Public Health

Solid Waste

Chuck De Jonckheere, REHS
Hamilton County Public Health

Swimming Pool, Spa, and Special Use Pool

Thomas Fink, REHS
Cuyahoga County Board of Health

Vector Control

Zach Holbert-Watson, REHS
Franklin County Public Health

Archives

Melissa Adams, REHS
Delaware Public Health District

Constitution & By-laws

Ken Sharkey, REHS, MPH
Cleveland Department of Public Health

Exhibits

Shannon Self, REHS
Delaware Public Health District

Professional Development

Luke Jacobs, MPH, REHS
Columbus Public Health

Resolutions

Jennifer Wentzel, MPH, REHS
Public Health - Dayton & Montgomery County

Website

Garrett Guillozet, MPA, REHS, AEMT
Delaware Public Health District

Auditing

Jennifer Wentzel, MPH, REHS
Public Health - Dayton & Montgomery County

Awards & Recognition

Gus Dria, REHS
Canton City Health Department

George Eagle Scholarship

Traven A. Wood, MS, REHS
Licking County Health Department

Membership

Luke Jacobs, MPH, REHS
Columbus Public Health

Public Affairs

Stephan Ruckman, MPH, REHS
Worthington Schools

Publications

Adam R. Howard, MPH, REHS
Delaware Public Health District

Concentrated Animal Feed Facility

Jason Menchhofer, MPH, REHS
Ohio Department of Health

Ohio Public Health Advisory Board

Colton Masters, MPH, REHS
Mahoning County Public Health

Ohio Public Health Partnership

Chad Brown, MPH, REHS
Licking County Health Department

Sewage Treatment System Technical Advisory Committee

Eric Cherry, REHS
Huron County Public Health

OJEH

Ohio Environmental Health Association
10 W. Broad Street, Suite 200
Columbus, OH 43215